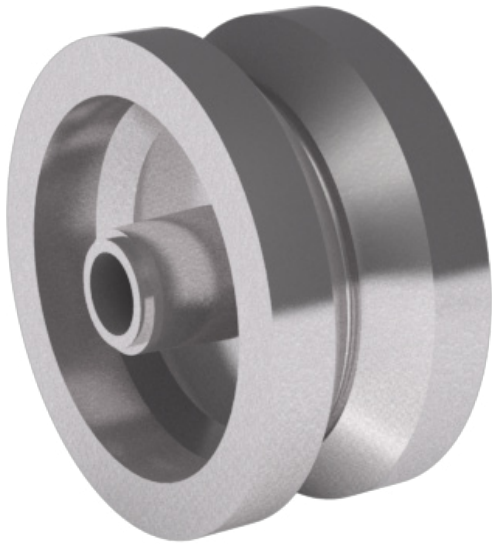


V-GROOVE WHEELS

15,000 lb maximum capacity



Item Shown: 06309-25-16

BENEFITS

V-groove wheels are constructed of premium G-3000 gray iron castings or hot forged C-1030 steel. The 90 degree grooves are accurately machined into the face of the wheels. A relief groove at the base of the "V" directs the load to each face of the angle track when in use.

V-groove wheels can be used on a track, flat surface or both without fear of damage.

Exceptionally strong and ideal for heavy loads, the V-groove wheels are able to be machined out for keyway or various bore sizes.

Wheel material codes: Cast iron (15); heavy duty cast iron (16); forged steel (25); heavy duty forged steel (26).

APPLICATIONS

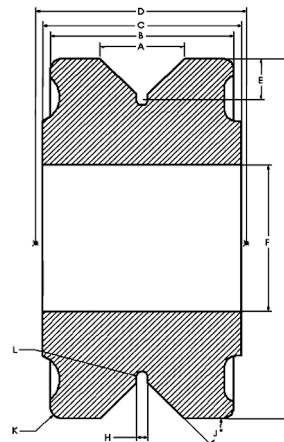
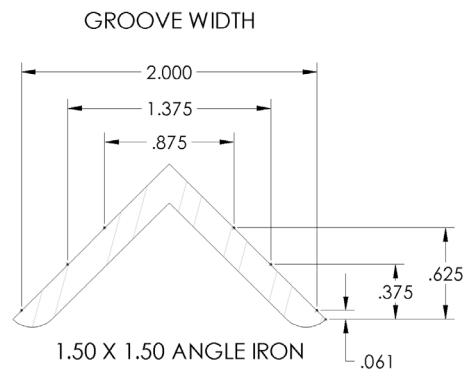
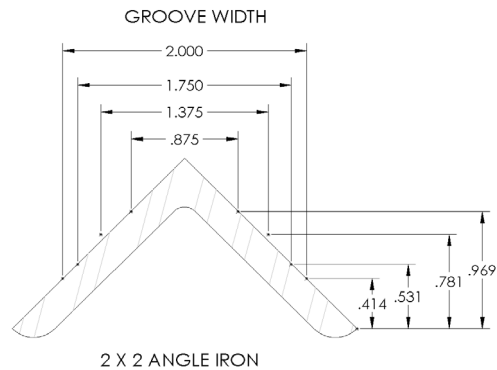
Excellent for guided industrial applications, assembly lines, paint lines and material handling where precise alignment is necessary.

FEATURES

Bearings: Roller, tapered, plain.

Temperature: Maximum to 800° F with proper bearing and lubrication.

Standard: All 1-1/2" and 2" width wheels with 3/4" roller bearings are supplied with 1/2" spanner bushing.



WHEEL						PART NUMBER			
Dia.	Width	Capacity	Hub Length	Bore	Width x Depth	Straight Roller	Precision Tapered	Less Bearing	Wt.
4	2.00	1,000	2 3/16	1 3/16	7/8 x 7/16			04200-15-19	5.00
4	2.00	1,000	2 3/16	3/4	7/8 x 7/16	04201-15-12			5.00
6	2.00	1,000	2 3/16	1 3/16	7/8 x 7/16			06200-15-19	5.00
6	2.00	1,000	2 3/16	3/4	7/8 x 7/16	06201-15-12			5.00
6	2.50	2,500	3 1/4	1 15/16	7/8 x 7/16			06250-15-31	10.00
6	2.50	2,500	3 1/4	1	7/8 x 7/16	06251-15-16			10.00
6	2.50	2,500	3 1/4	1 1/4	7/8 x 7/16	06251-15-20			10.00
6	2.50	2,500	3 1/2	3/4	7/8 x 7/16		06259-15-12		10.00
6	3.00	15,000	3 1/4	2 7/16	1-3/8 x 11/16			06300-25-39	20.00
6	3.00	6,000	3 1/4	1 1/4	1-3/8 x 11/16	06301-25-20			20.00
6	3.00	6,000	3 1/4	1 1/2	1-3/8 x 11/16	06301-25-24			20.00
6	3.00	10,000	3 1/2	1	1-3/8 x 11/16		06309-25-16		20.00
6	3.00	10,000	3 1/2	1 1/4	1-3/8 x 11/16		06309-25-20		20.00
6	3.00	15,000	3 1/4	3 1/8^	1-3/8 x 11/16			06308-26-50	20.00
6	3.00	15,000	3 1/2	1 1/4	1-3/8 x 11/16		06309-26-20		20.00
6	3.00	15,000	3 1/2	1 1/2	1-3/8 x 11/16		06309-26-24		20.00
8	2.50	2,500	3 1/4	1 15/16	7/8 x 7/16			08250-15-31	20.00
8	2.50	2,500	3 1/4	1	7/8 x 7/16	08251-15-16			20.00
8	2.50	2,500	3 1/4	1 1/4	7/8 x 7/16	08251-15-20			20.00
8	2.50	2,500	3 1/2	3/4	7/8 x 7/16		08259-15-12		20.00
8	3.00	4,000	3 1/4	1 15/16	7/8 x 7/16			08300-15-31	22.00
8	3.00	4,000	3 1/4	1	7/8 x 7/16	08301-15-16			22.00
8	3.00	4,000	3 1/4	1 1/4	7/8 x 7/16	08301-15-20			22.00
8	3.00	4,000	3 1/2	1	7/8 x 7/16		08309-15-16		22.00
8	3.00	4,000	3 1/2	1 1/4	7/8 x 7/16		08309-15-20		22.00
8	3.00	4,500	3 1/4	2 7/16	1-3/8 x 11/16			08300-16-39	24.00
8	3.00	4,500	3 1/4	1 1/4	1-3/8 x 11/16	08301-16-20			24.00
8	3.00	4,500	3 1/4	1 1/2	1-3/8 x 11/16	08301-16-24			24.00
8	3.00	4,500	3 1/2	1	1-3/8 x 11/16		08309-16-16		24.00
8	3.00	4,500	3 1/2	1 1/4	1-3/8 x 11/16		08309-16-20		24.00
8	3.00	5,000	3 1/4	1 15/16	7/8 x 7/16			08300-25-31	24.00
8	3.00	5,000	3 1/4	1	7/8 x 7/16	08301-25-16			24.00
8	3.00	5,000	3 1/4	1 1/4	7/8 x 7/16	08301-25-20			24.00
8	3.00	5,000	3 1/2	3/4	7/8 x 7/16		08309-25-12		24.00
8	3.00	5,000	3 1/2	1	7/8 x 7/16		08309-25-16		24.00
8	4.00	8,400	4 1/4	2 7/16	1-3/4 x 7/8			08400-25-39	30.00
8	4.00	8,400	4 1/4	1 1/4	1-3/4 x 7/8	08401-25-20			30.00
8	4.00	8,400	4 1/4	1 1/2	1-3/4 x 7/8	08401-25-24			30.00
8	4.00	10,000	4 1/2	1	1-3/4 x 7/8		08409-25-16		30.00
8	4.00	10,000	4 1/2	1 1/4	1-3/4 x 7/8		08409-25-20		30.00
8	4.00	15,000	4 1/4	3 1/8^	1-3/4 x 7/8			08408-26-50	31.00
8	4.00	15,000	4 1/2	1 1/4	1-3/4 x 7/8		08409-26-20		31.00
8	4.00	15,000	4 1/2	1 1/2	1-3/4 x 7/8		08409-26-24		31.00



V-GROOVE WHEELS 15,000 LBS

WHEEL						PART NUMBER			
Dia.	Width	Capacity	Hub Length	Bore	Width x Depth	Straight Roller	Precision Tapered	Less Bearing	Wt.
10	3.00	3,000	3 1/4	1 15/16	1-3/8 x 11/16			<u>10300-15-31</u>	25.00
10	3.00	3,000	3 1/4	1	1-3/8 x 11/16	<u>10301-15-16</u>			25.00
10	3.00	3,000	3 1/4	1 1/4	1-3/8 x 11/16	<u>10301-15-20</u>			25.00
10	3.00	3,000	3 1/2	3/4	1-3/8 x 11/16		<u>10309-15-12</u>		25.00
10	3.00	3,500	3 1/4	2 7/16	1-3/8 x 11/16			<u>10300-16-39</u>	25.00
10	3.00	3,500	3 1/4	1 1/4	1-3/8 x 11/16	<u>10301-16-20</u>			25.00
10	3.00	3,500	3 1/4	1 1/2	1-3/8 x 11/16	<u>10301-16-24</u>			25.00
10	3.00	3,500	3 1/2	1	1-3/8 x 11/16		<u>10309-16-16</u>		25.00
10	3.00	3,500	3 1/2	1 1/4	1-3/8 x 11/16		<u>10309-16-20</u>		25.00
10	3.00	5,000	3 1/4	1 15/16	1-3/8 x 11/16			<u>10300-25-31</u>	27.00
10	3.00	5,000	3 1/4	1	1-3/8 x 11/16	<u>10301-25-16</u>			27.00
10	3.00	5,000	3 1/4	1 1/4	1-3/8 x 11/16	<u>10301-25-20</u>			27.00
10	3.00	5,000	3 1/2	3/4	1-3/8 x 11/16		<u>10309-25-12</u>		27.00
10	3.00	5,000	3 1/2	1	1-3/8 x 11/16		<u>10309-25-16</u>		27.00
10	3.00	6,000	3 1/4	2 7/16	1-3/8 x 11/16			<u>10300-26-39</u>	27.00
10	3.00	6,000	3 1/4	1 1/4	1-3/8 x 11/16	<u>10301-26-20</u>			27.00
10	3.00	6,000	3 1/4	1 1/2	1-3/8 x 11/16	<u>10301-26-24</u>			27.00
10	3.00	6,000	3 1/2	1	1-3/8 x 11/16		<u>10309-26-16</u>		27.00
10	3.00	6,000	3 1/2	1 1/4	1-3/8 x 11/16		<u>10309-26-20</u>		27.00
10	4.00	8,400	4 1/4	2 7/16	1-3/4 x 7/8			<u>10400-25-39</u>	48.00
10	4.00	8,400	4 1/4	1 1/4	1-3/4 x 7/8	<u>10401-25-20</u>			48.00
10	4.00	8,400	4 1/4	1 1/2	1-3/4 x 7/8	<u>10401-25-24</u>			48.00
10	4.00	10,000	4 1/2	1	1-3/4 x 7/8		<u>10409-25-16</u>		48.00
10	4.00	10,000	4 1/2	1 1/4	1-3/4 x 7/8		<u>10409-25-20</u>		48.00
10	4.00	15,000	4 1/4	3 1/8^	1-3/4 x 7/8			<u>10408-26-50</u>	48.00
10	4.00	15,000	4 1/2	1 1/4	1-3/4 x 7/8		<u>10409-26-20</u>		48.00
10	4.00	15,000	4 1/2	1 1/2	1-3/4 x 7/8		<u>10409-26-24</u>		48.00
12	5.00	9,500	5 1/4	1 1/4	2 x 1	<u>12501-16-20*</u>			110.00
12	5.00	9,500	5 1/4	1 1/2	2 x 1	<u>12501-16-24*</u>			110.00
12	5.00	12,000	5 1/2	1 1/4	2 x 1		<u>12509-16-20*</u>		110.00
12	5.00	12,000	5 1/2	1 1/2	2 x 1		<u>12509-16-24*</u>		110.00

Capacity listed is for manual operation.

For powered operations, consult factory.

^ Dimensions for tapered bearing bore.

* These wheels are ductile iron.

All dimensions are in inches. All weights are in pounds.