



MAINTENANCE FREE

EXERTION REDUCING
KINGPINLESS RIGS

25% REDUCTION*

In Push Force

*Average on initial push force when wheels are not all at same angle

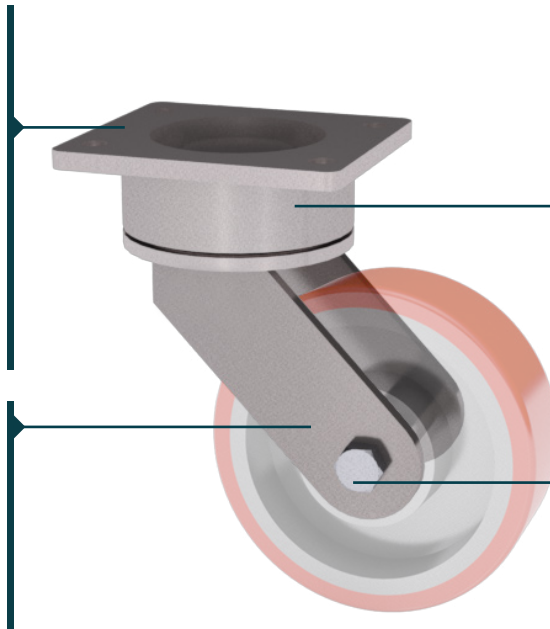
ERGONOMIC RIGS THAT REDUCE RISK OF INJURY AND OVERALL COST

Maintenance Free

- Eliminates maintenance cost and hassle
- Precision sealed ball bearings with hardened raceways and neoprene seals never need greasing
- Kingpinless – Never needs adjusting

Ergonomic: Reduce Force Exerted

- Initial push force when wheels are not all aligned
- Force needed to turn or maneuver



Precision Made

- Reduces wear
- Eliminates vibration & play
- Easier to maneuver & turn
- Extends use life
- Consistent performance

Durable & Reliable

- Kingpinless, eliminating leading cause of failure
- Continuous, double weld on inside and outside of legs
- Corrosion and rust resistant zinc plated finish

OPTIONS

- Brakes
- Swivel Locks
- Toe Guard
- Top Plate Bolt Pattern

	Series 37	Series 55	Series 57	Series 77	Series 87
Max Capacity	750 lbs	1,000 lbs.	1,500 lbs.	3,500 lbs.	5,000 lbs.
Wheel Diameters	4" - 8"	4" - 8"	6" - 10"	6" - 10"	4" - 12"
Wheel Width	2"	2"	2"	3"	3"
Top Plate	4" x 5"	4" x 5"	6.25" x 4.50"	5" - 7.25"	6" x 7.5"
Legs	1/4 x 1.5	1/4 x 2	1/4 x 2	3/8" - 2.75"	3/8 x 4
Lead Length	Up to 2.50	Up to 3.25	Up to 3.50	Up to 3.50	Up to 3.00
Axle	1/2" Diameter	1/2" Diameter	1/2" Diameter	3/4" Diameter	1" Diameter



FAQ's

MAINTENANCE FREE | KINGPINLESS RIGS

What ergonomic benefits does the ErgoMaxx Rig offer?

The ergonomic benefit is lower energy exertion to:

1. Start rolling when wheels are not all parallel
2. Turn or Maneuver

Resulting in less risk of a overexertion injury. In addition, ErgoMaxx helps reduce the risk of injury due to repetitive strain. By reducing the energy exerted to perform a task such as maneuvering, which an operator may repeat several times a day, the rate of accumulation of strain is reduced greatly.

What does Maintenance Free mean?

Maintenance Free is in reference to the bearings used in the ErgoMaxx Rigs. We use a Precision Sealed Ball Bearing, that never needs greasing. The precision seal ensures that the grease does not dry or leak. Bearings that need maintenance would have to be greased about every 3 months. This is additional labor that must be performed, requiring someone to get down very low and pump grease into the caster swivel section.

What are the benefits of Maintenance Free?

Lower costs including labor and materials, as well as elimination of a labor task that can be challenging. If the casters must be greased, not only is the purchase of grease required, someone must get down to floor level and pump the grease in there. If maintenance is forgotten, the casters may become harder to maneuver and cause injury to operators or fail to rotate over time.

What makes the ErgoMaxx Rig precise?

ErgoMaxx Rigs are engineered and designed with tight fits, interlocking components and no variance. Rigs are built to exacting standards, with components that are integrated with tight tolerances, reducing the risk of play and flutter. In addition, we use only Precision Sealed Ball Bearings, which ensure smooth rotation and consistent performance throughout the life of the rig. These ball bearings have a L10 rating of 54,200 hours. That is equivalent to 6 years of continuous, non-stop use before a failure may be expected.